



VS SUB[®] Gate Pro

VS TAL[®] Gate Pro



Installation dimensions

Heights:

- VS SUB[®] Gate Pro 1 650 - 950 mm (2 + 2 baskets)
- VS SUB[®] Gate Pro 2 950 - 1200 mm (3 + 3 baskets)
- VS TAL[®] Gate Pro 3 1200 - 1450 mm (4 + 4 baskets)
- VS TAL[®] Gate Pro 4 1450 - 1700 mm (4 + 4 baskets)
- VS TAL[®] Gate Pro 5 1700 - 1950 mm (5 + 5 baskets)
- VS TAL[®] Gate Pro 6 1900 - 2150 mm (5 + 5 baskets)

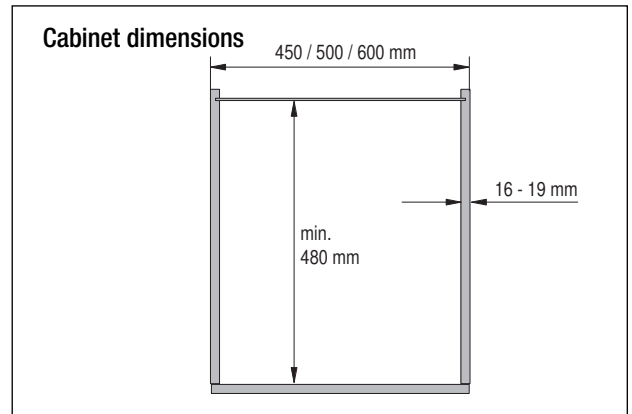
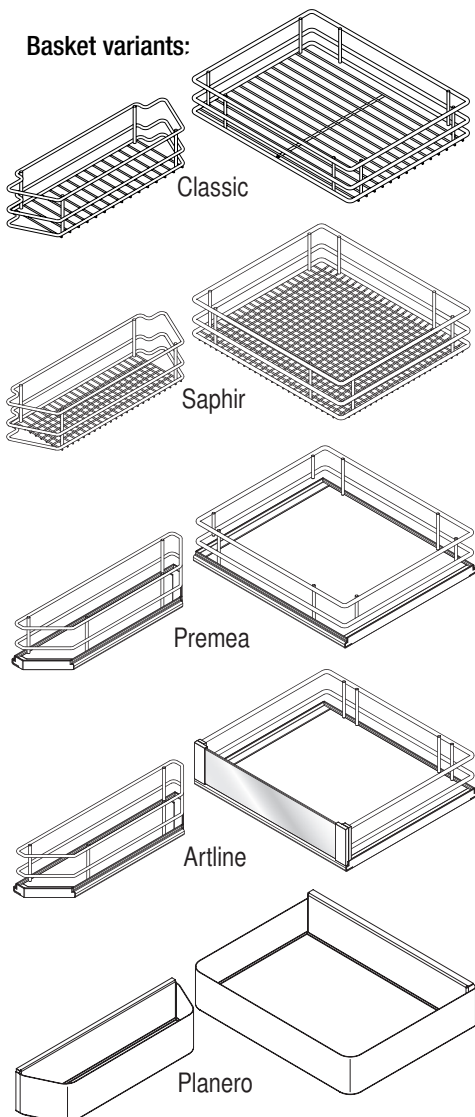
Cabinet basket dimensions

Cabinet	Basket width	Basket depth	Basket height
450	350	305	75
500	400	305	75
600	500	305	75

Door basket dimensions

Cabinet	Basket width	Basket depth	Basket height
450/500	365	110	75
600	465	110	75

Basket variants:



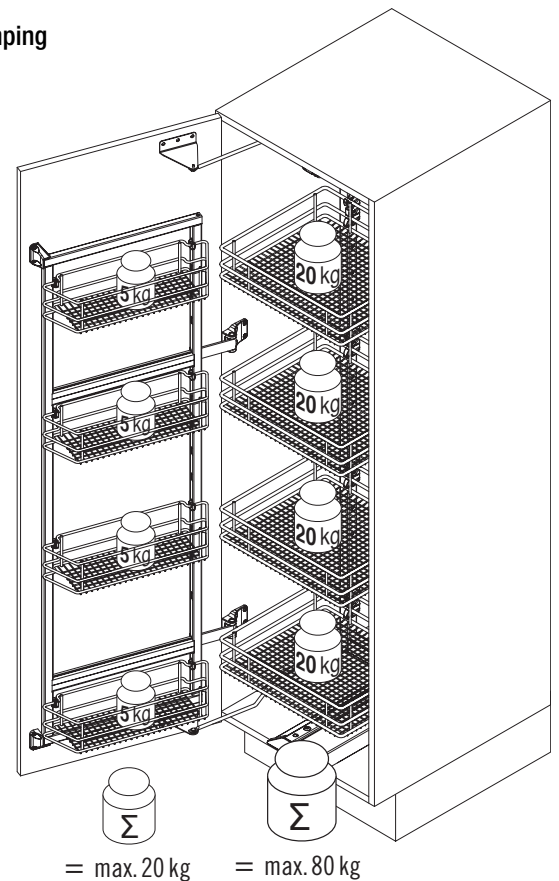
Finish

Fitting: RAL9006 silver, clear finish

Baskets: chrome or RAL9006 silver, clear finish

Load: Door 20 kg
Slide 80 kg

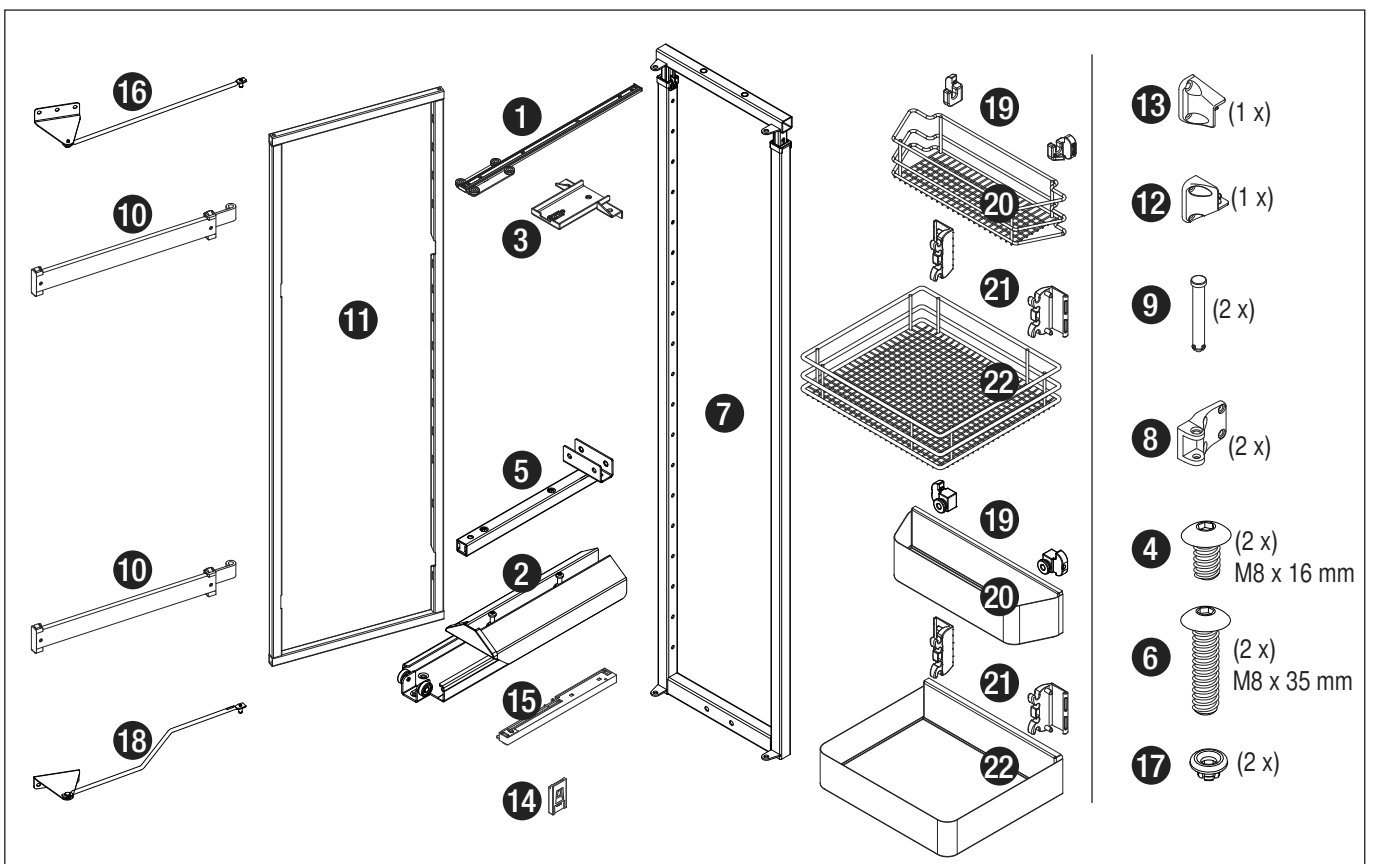
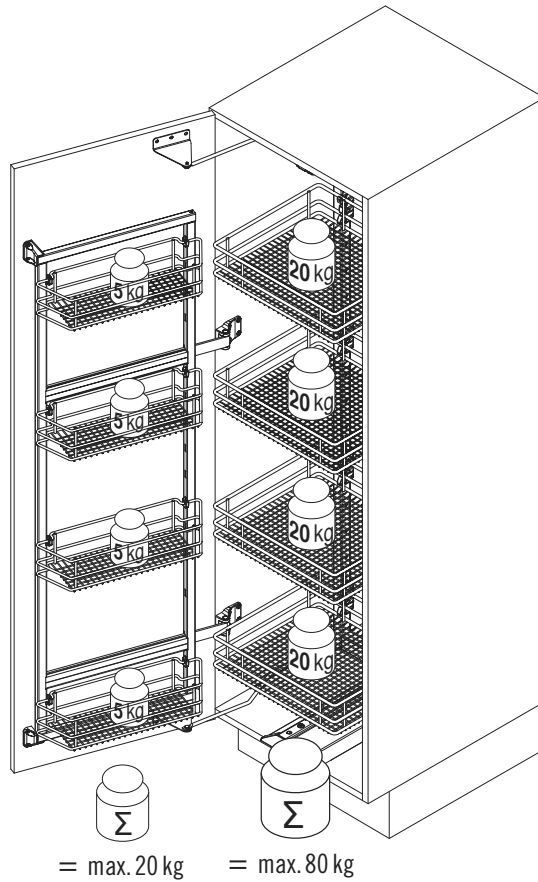
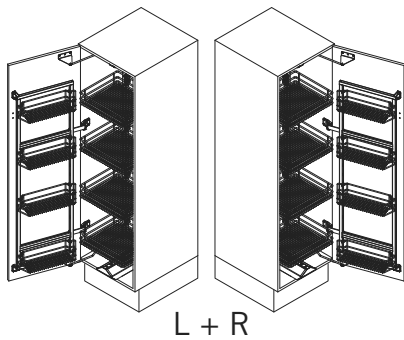
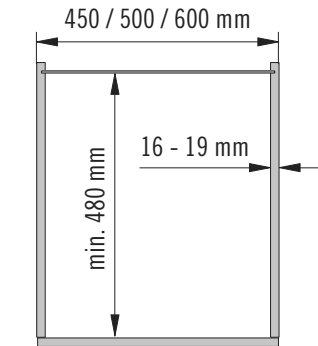
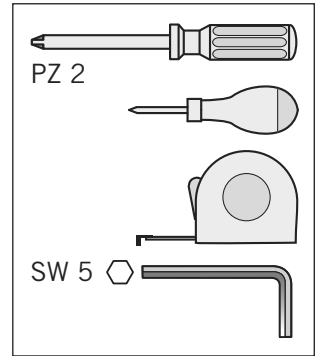
Damping

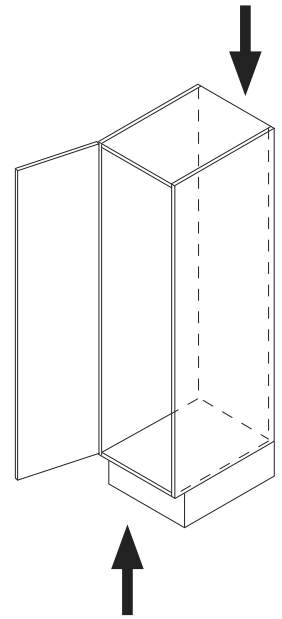
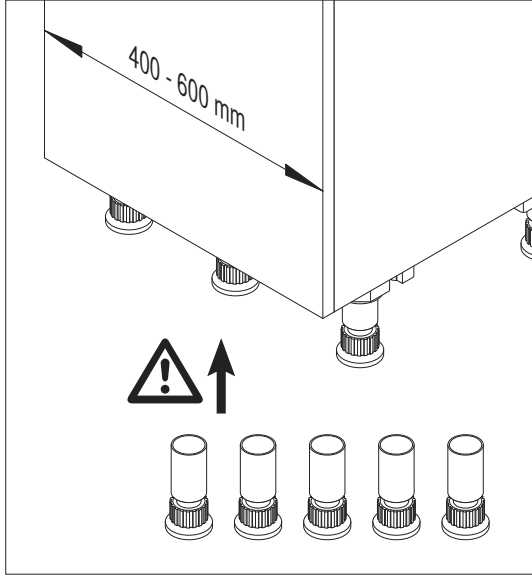
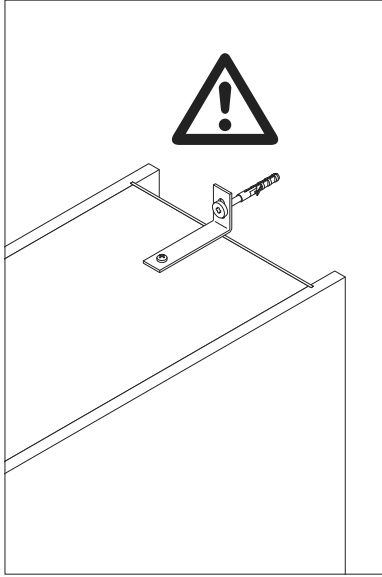


07 / 2019

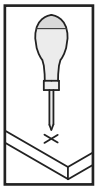


VS TAL[®] Gate Pro

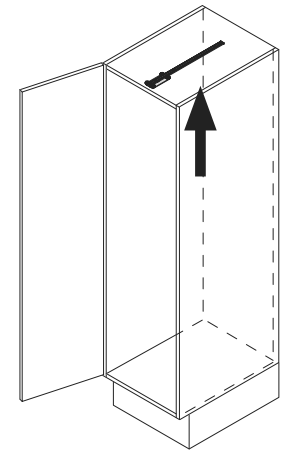
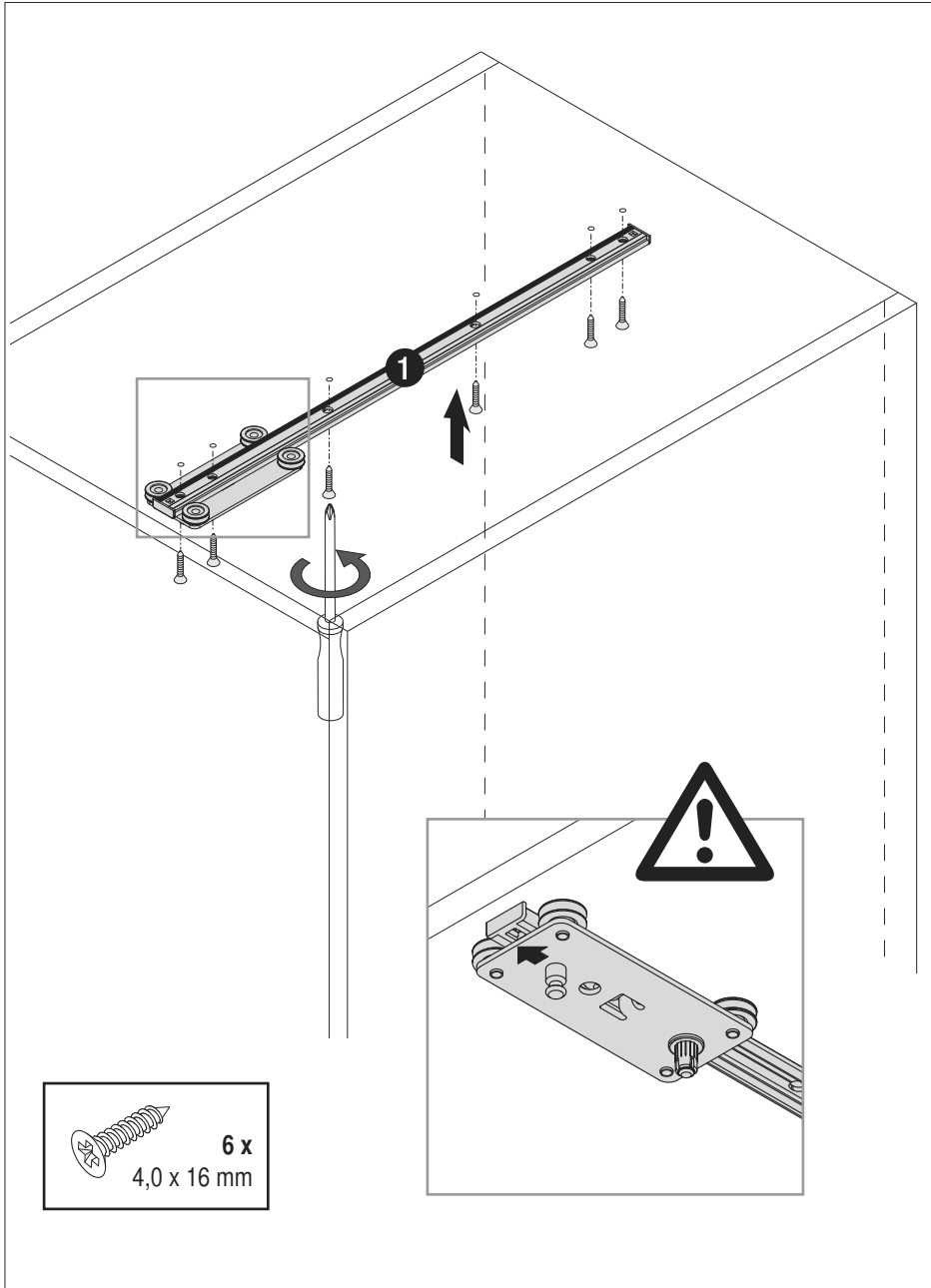




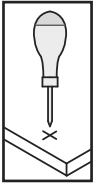
1



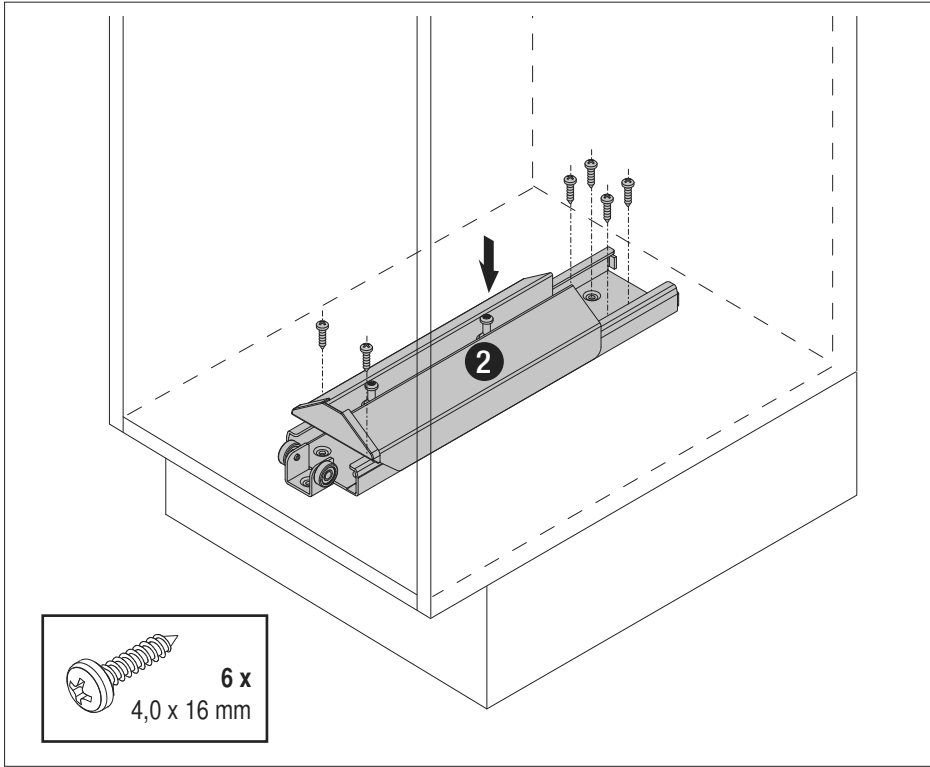
A



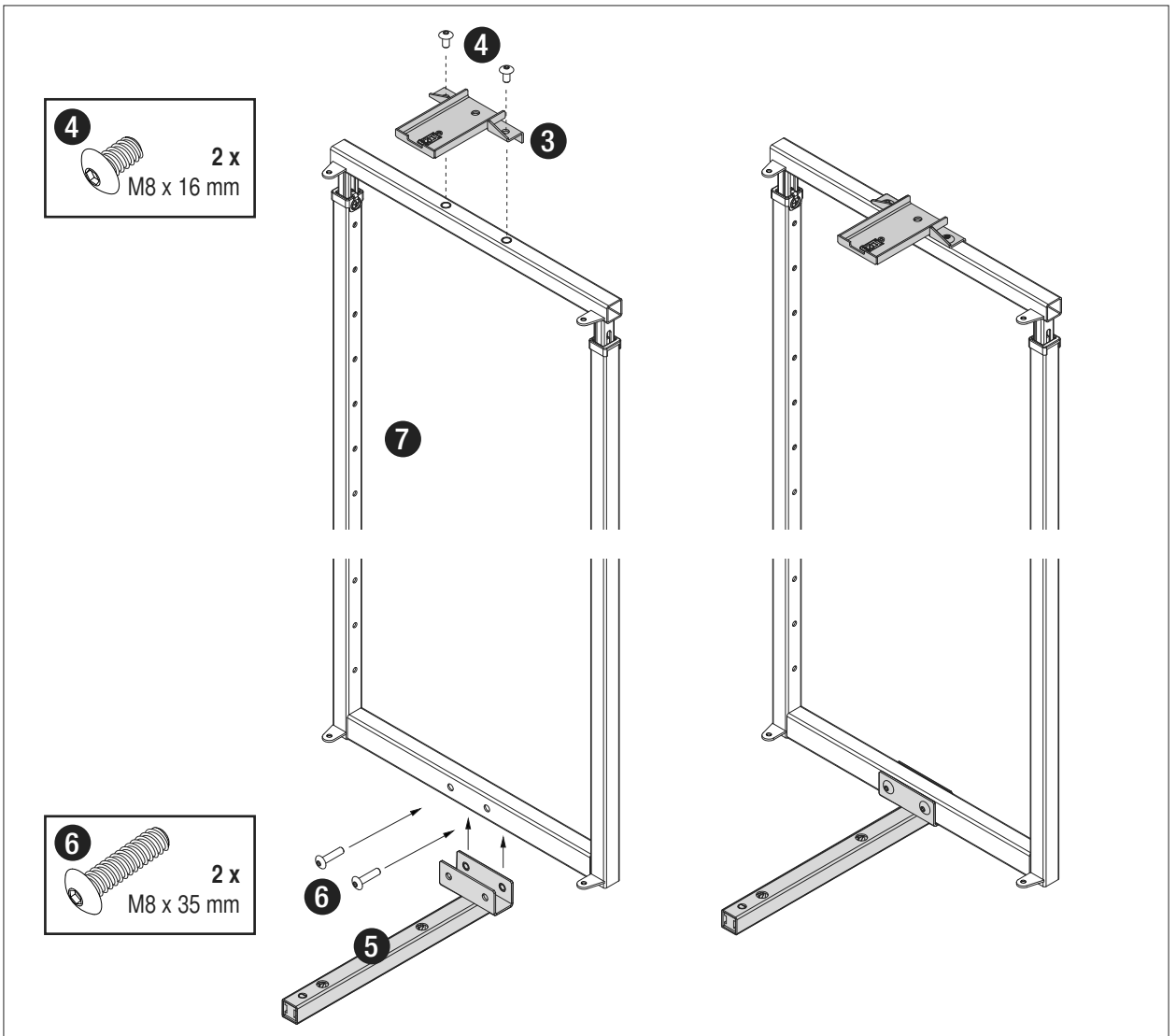
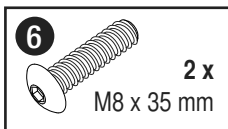
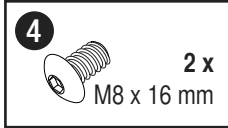
2



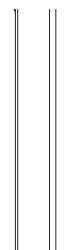
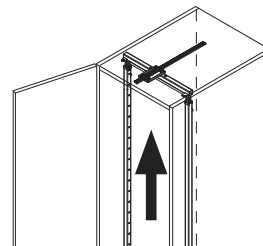
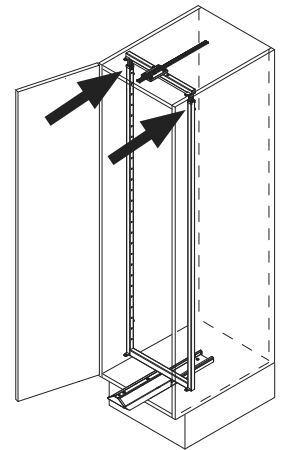
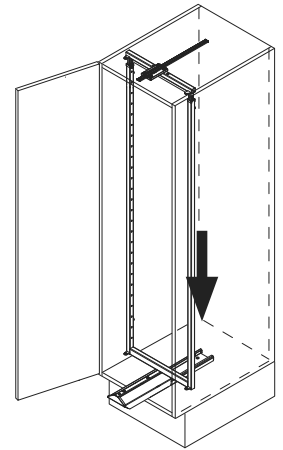
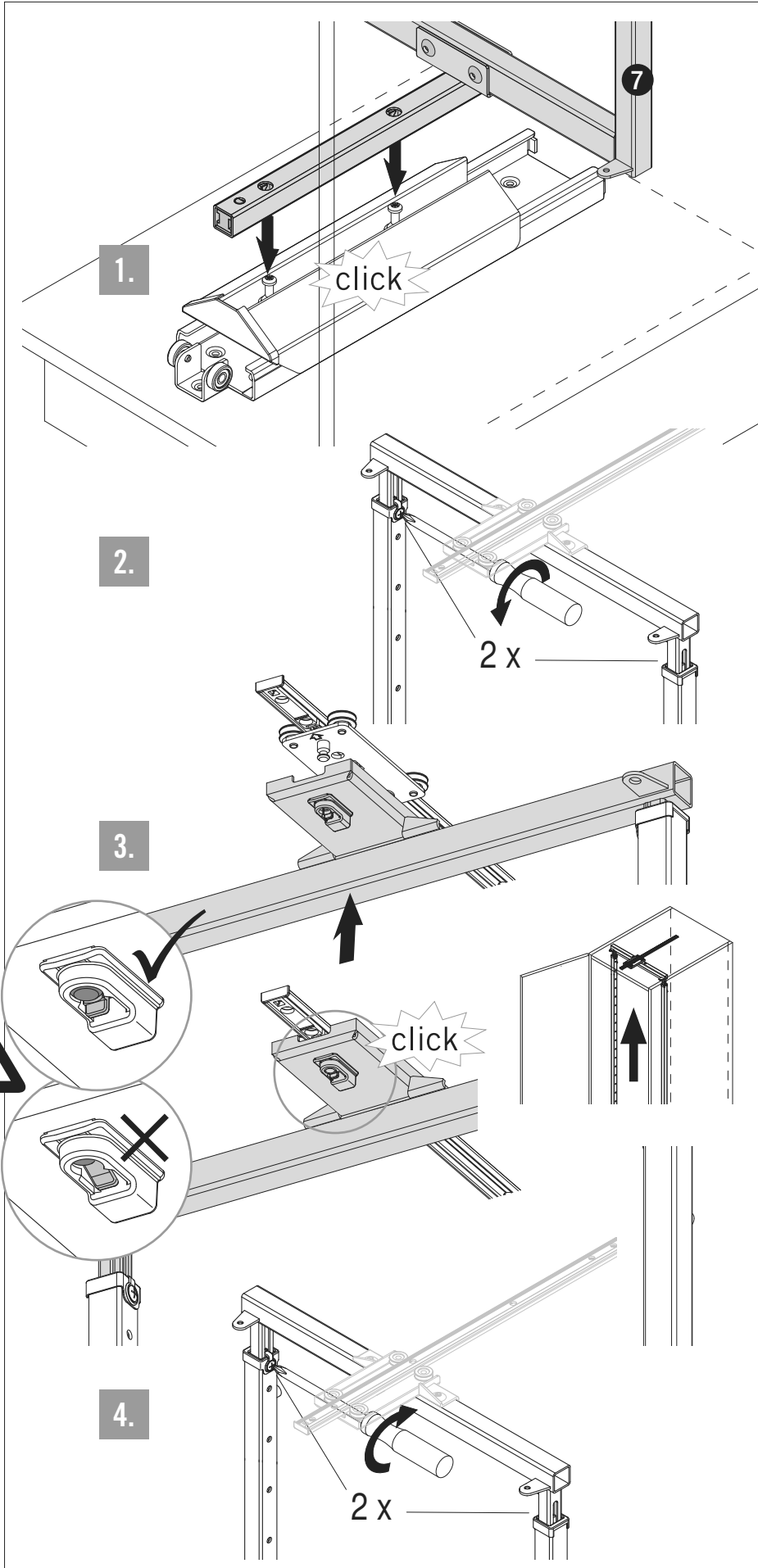
B



3



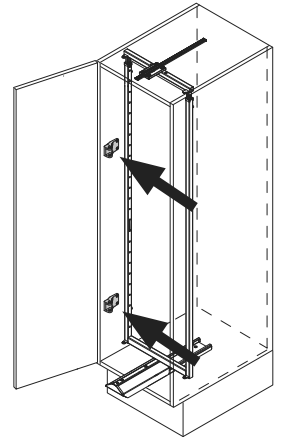
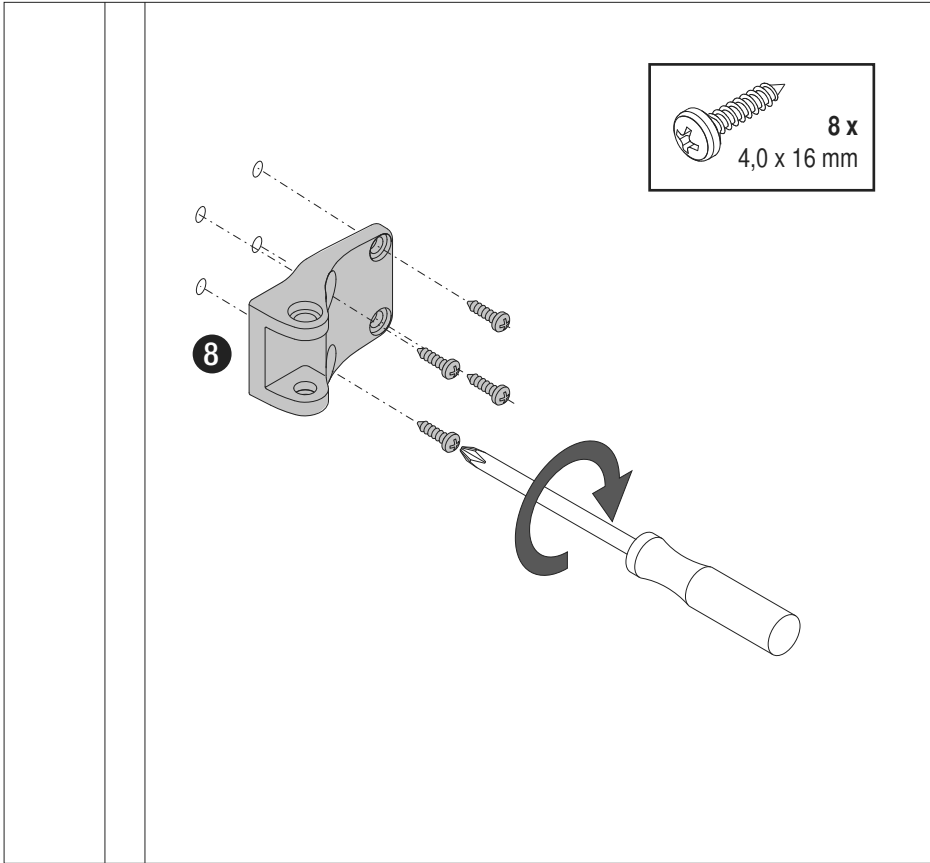
4



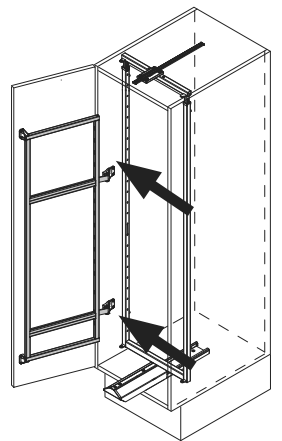
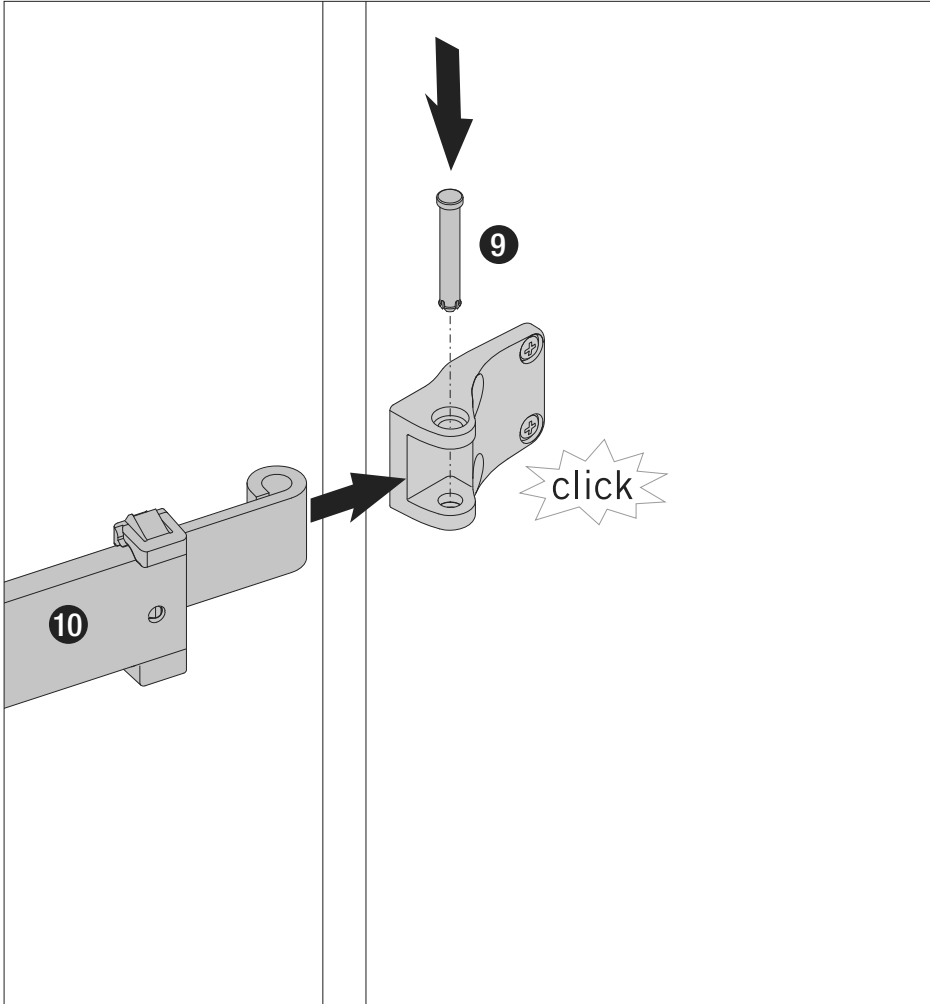
5



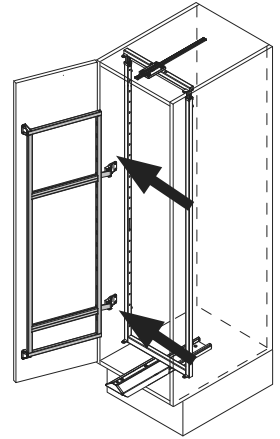
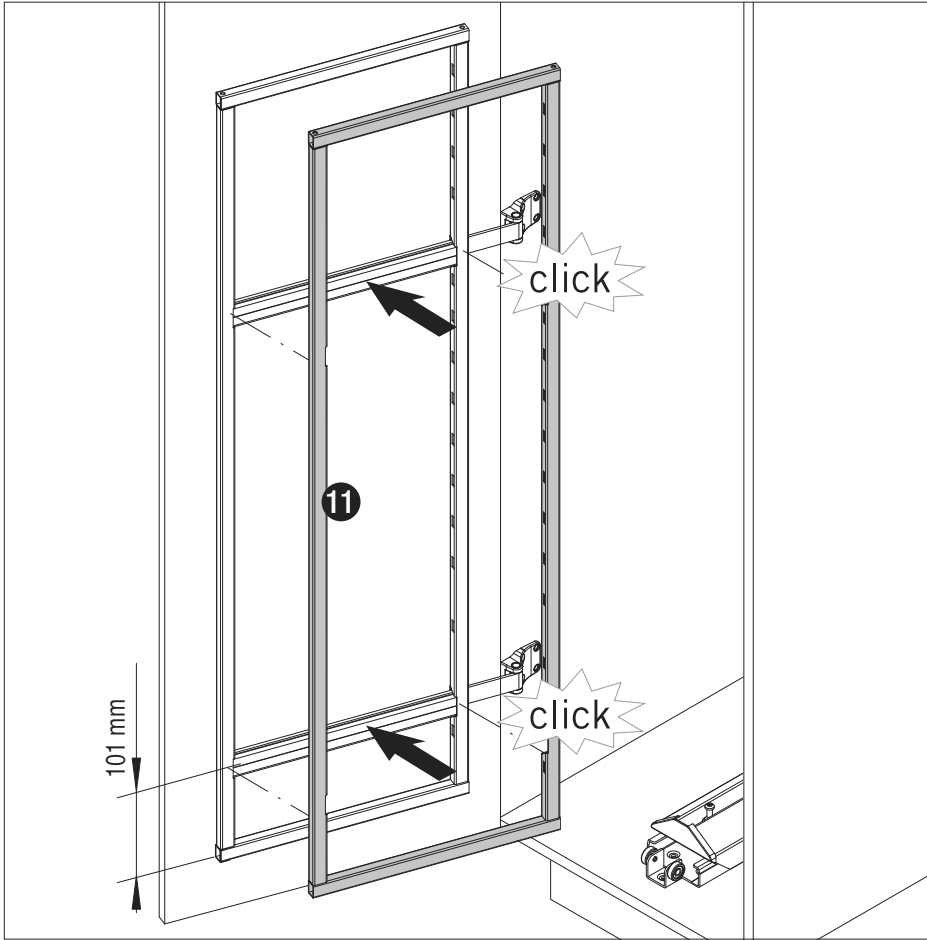
C



6



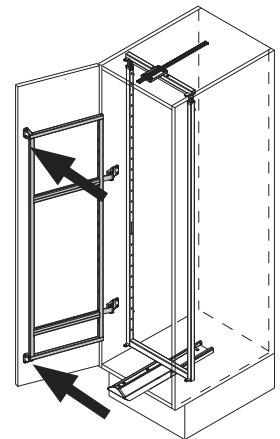
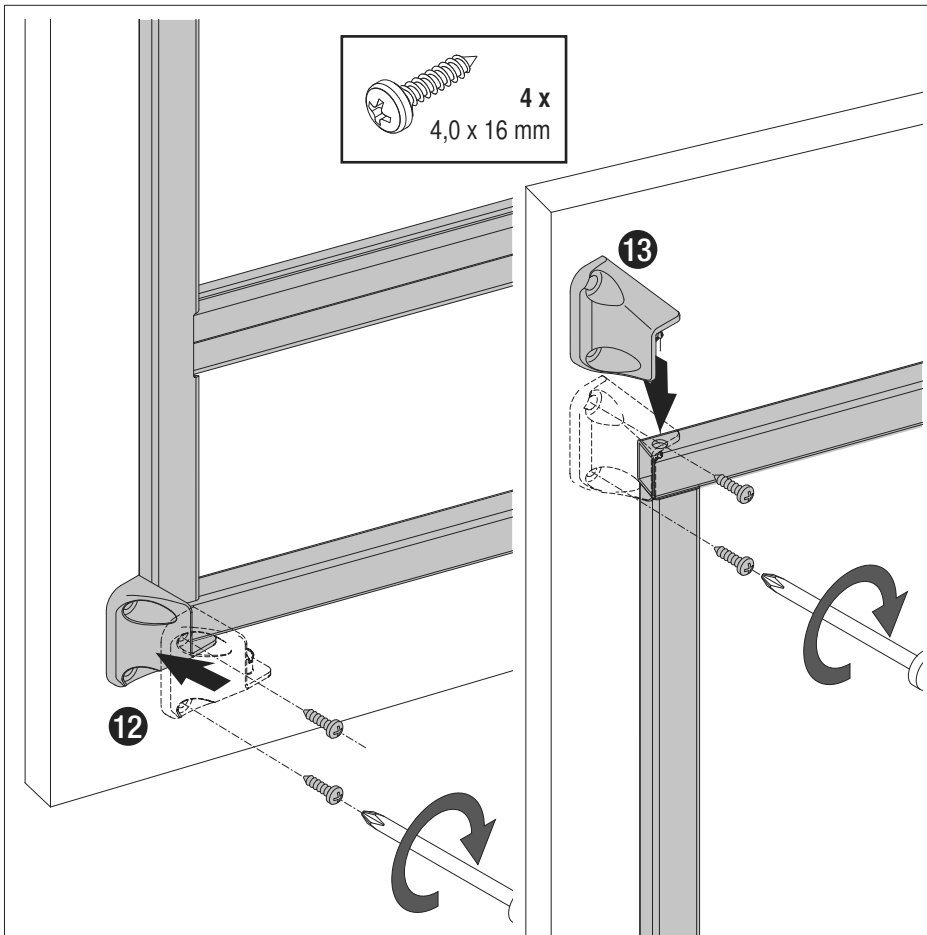
7



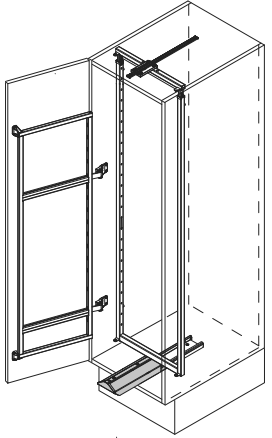
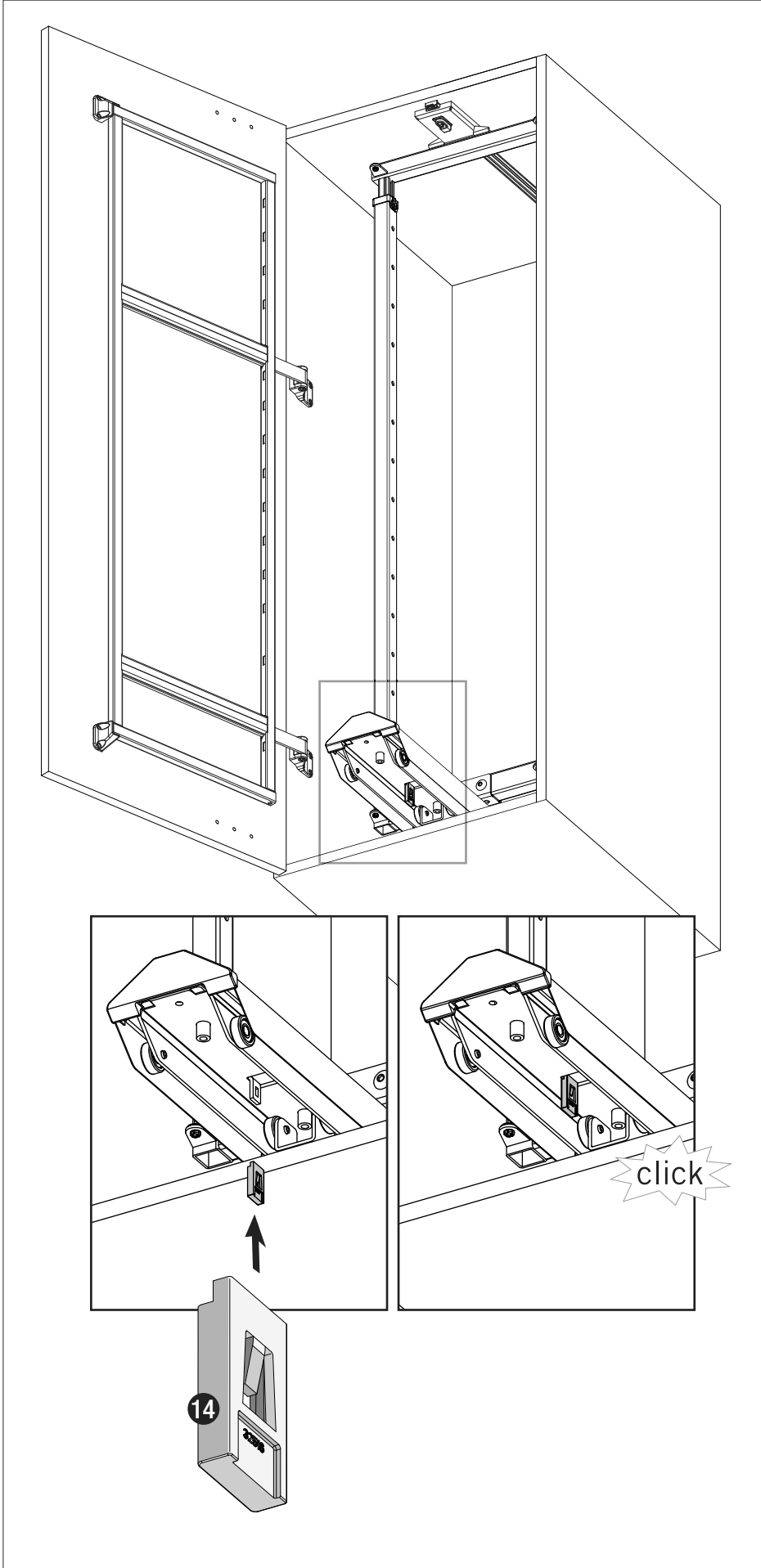
8



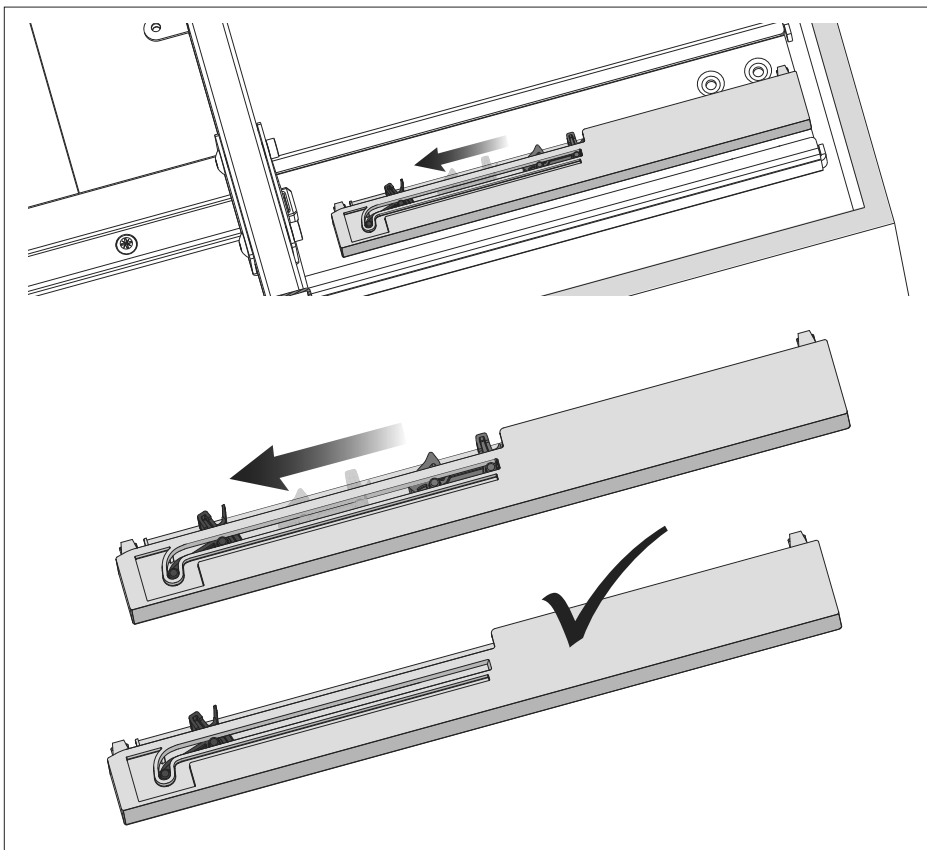
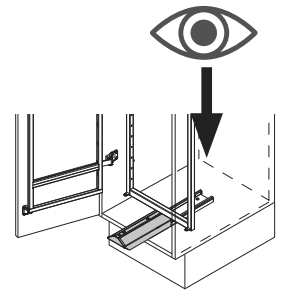
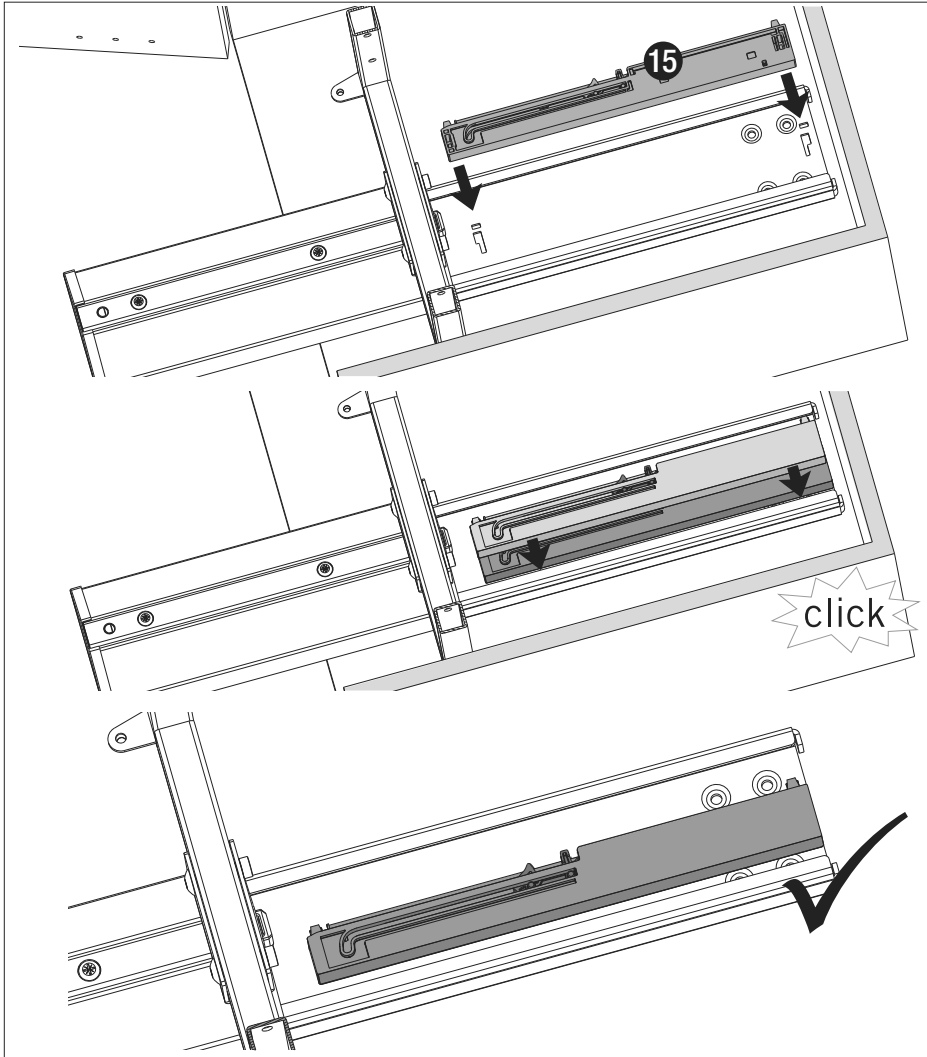
D



9



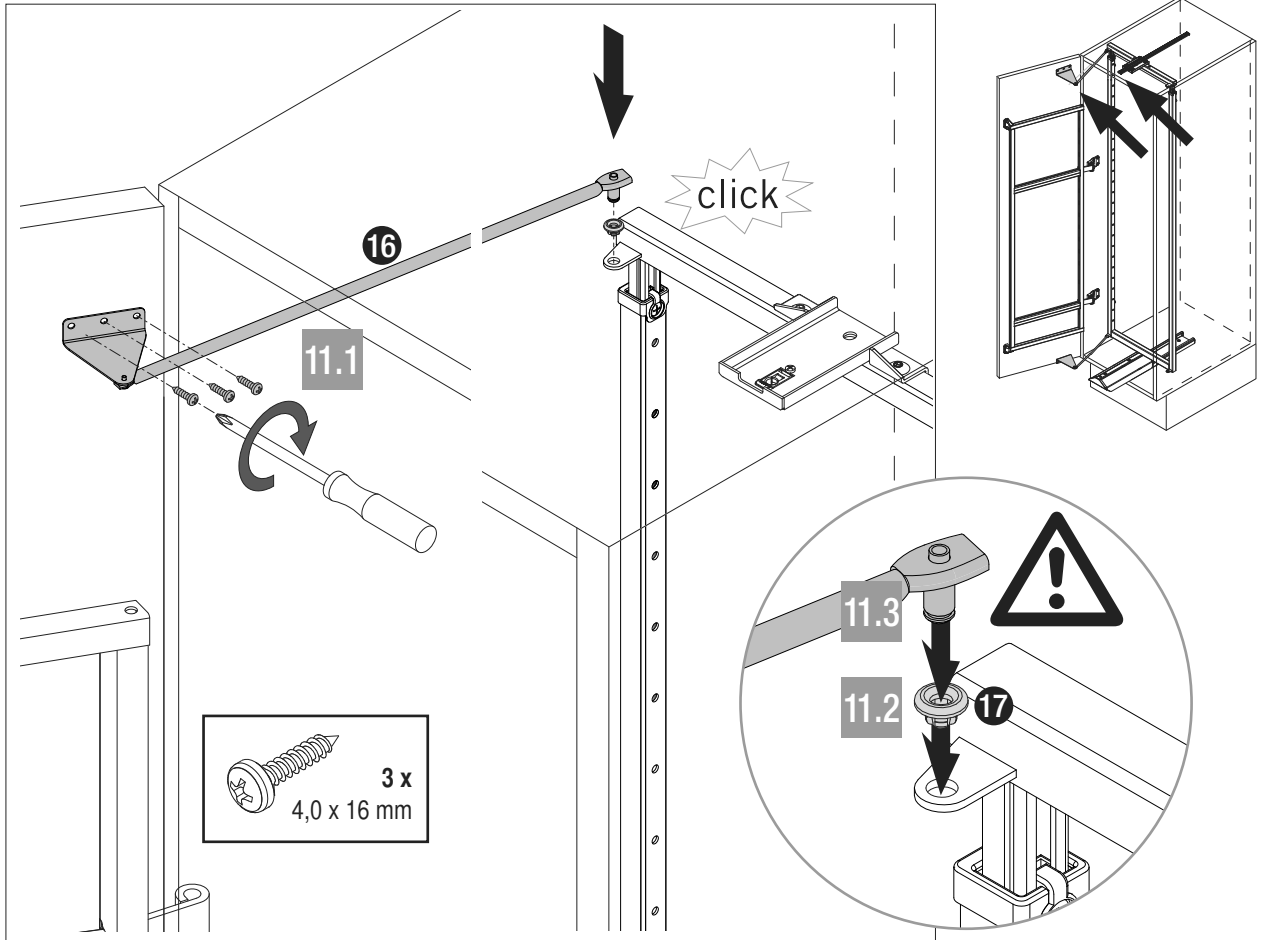
10



11



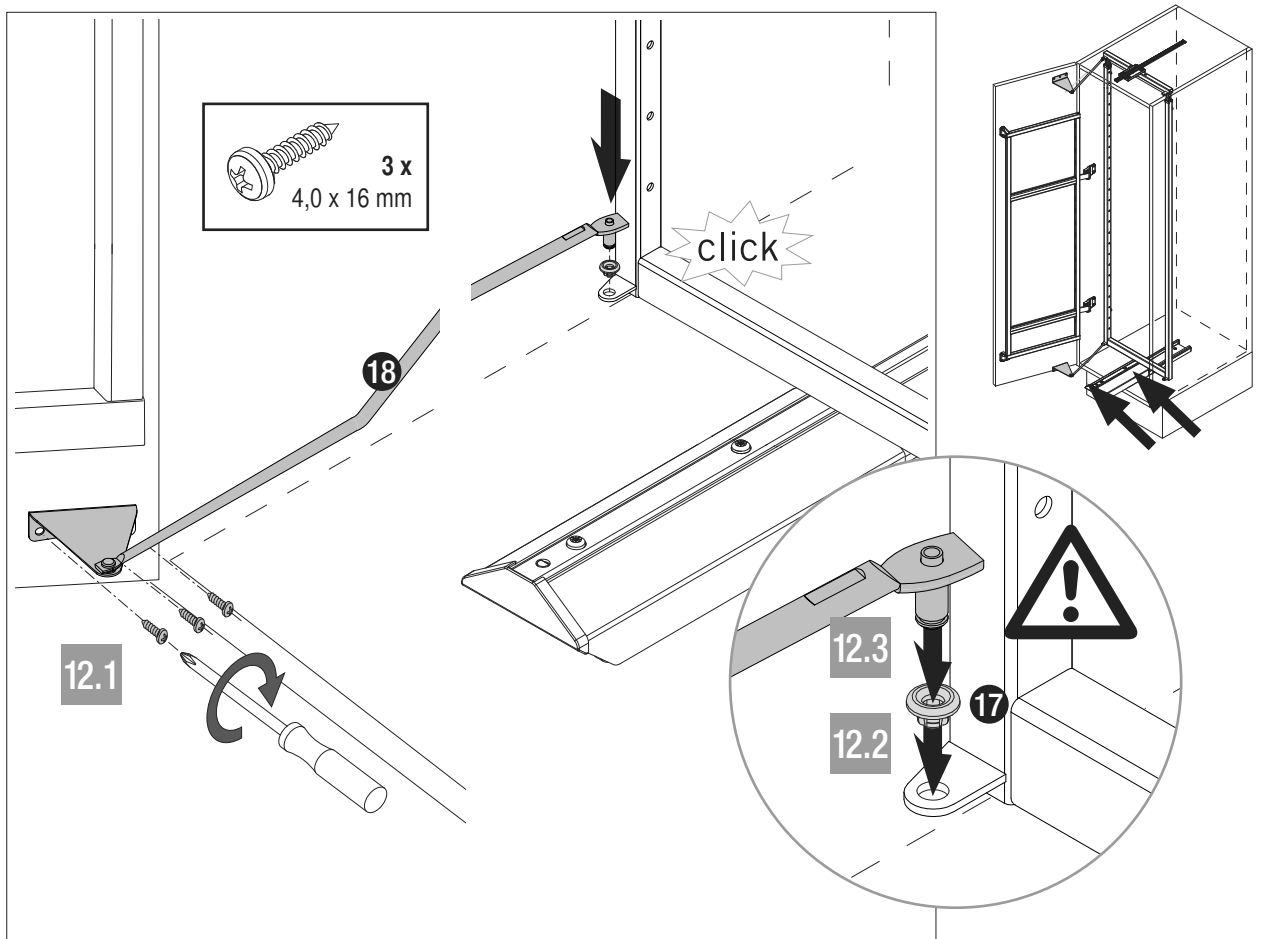
E

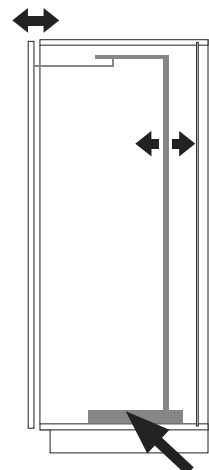
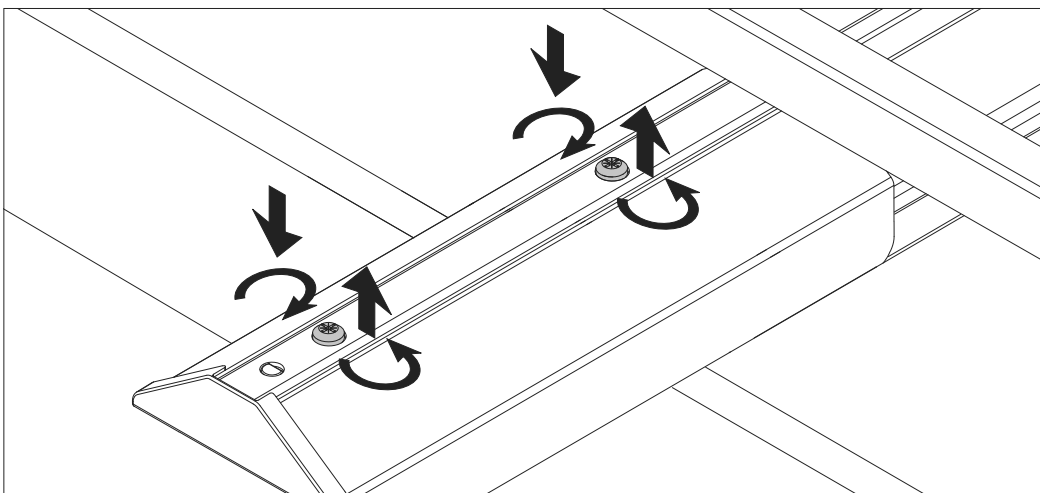
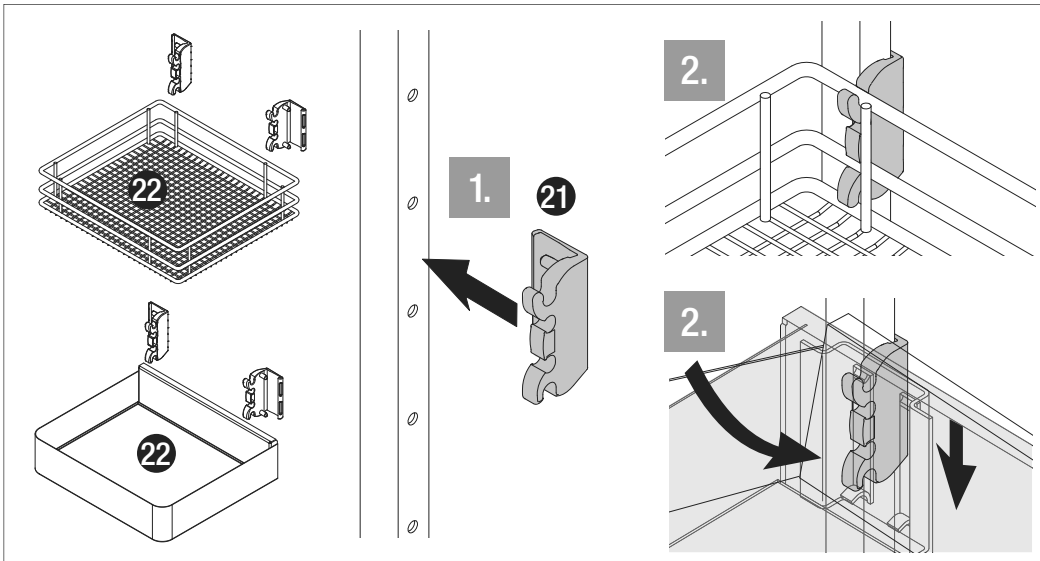
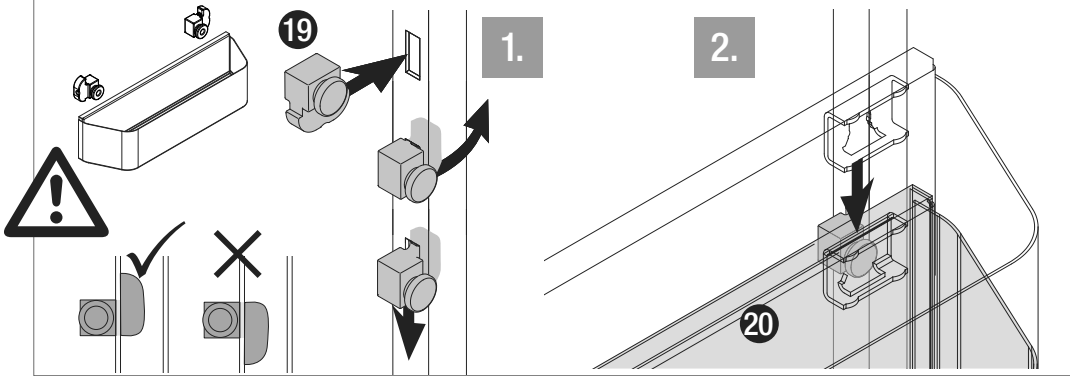
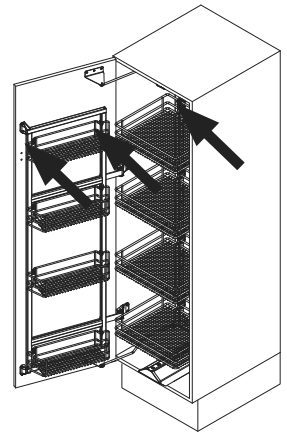
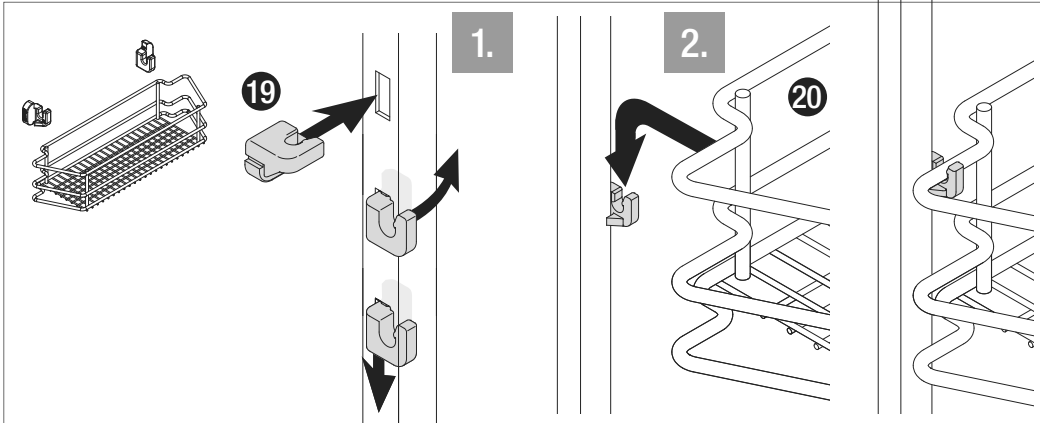


12



E

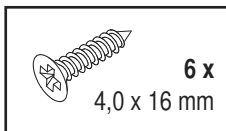
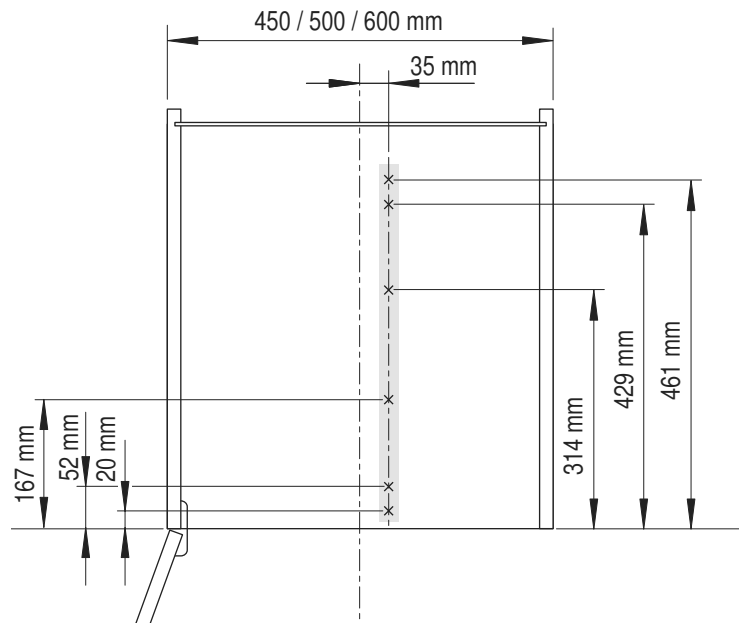




1



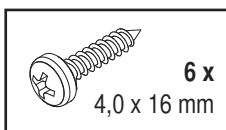
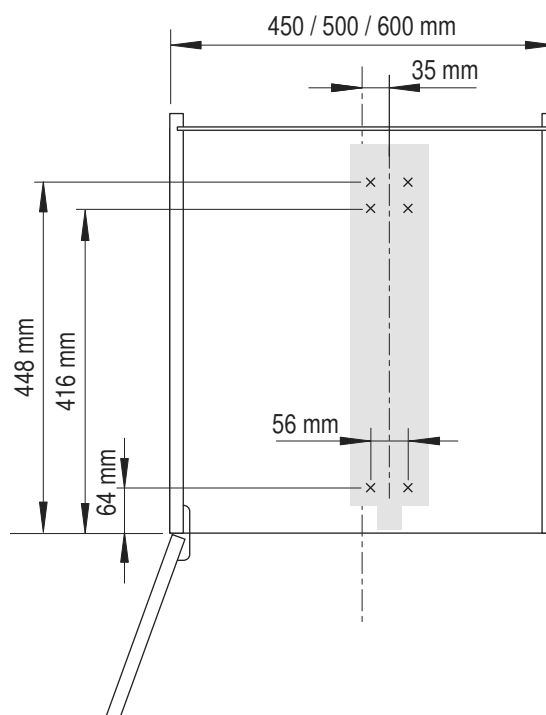
A



2



B



5

C

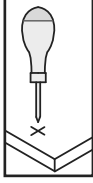
8

D

11

12

E



	D	C
VS TAL Gate Pro 1	473	190
VS TAL Gate Pro 2	793	510
VS TAL Gate Pro 3	1049	702
VS TAL Gate Pro 4	1193	702
VS TAL Gate Pro 5	1593	1086
VS TAL Gate Pro 6	1593 </td <td>1086</td>	1086

	E
K 450	93
K 500	80
K 600	130

